

Aebi-Transporter



MASKINSALG A/S

UTSTYR FOR INDUSTRI OG ANLEGG
Blindheimsveien 1, 5131 Nyborg
www.maskinsalg.com

SALG - SERVICE - UTTLEIE Tlf. 55 19 96 20

AEBI

With Aebi you are always on the right track.

Aebi is a leading supplier of transporters, and when it comes to implementing innovative developments they are right up with the leaders. The common denominator with Aebi transporters: all models and variants are very powerful, safe, manoeuvrable, easy to maintain and durable. And they represent the new generation of transporters, with an elegant design and carefully thought out operating functionality. Aebi is also well known for their Terratrak steep-slope implement carriers and their motor mowers.

Whatever originates from Aebi in Switzerland is «simply good». Swiss quality with technical and economical advantages, with a long-term guarantee and a high resale value, as well as an outstanding customer and spare parts service.



**Aebi transporter:
A forward-looking concept.**

Carry the load, don't pull it. This principle is increasingly gaining in meaning. A sure indication that the transporter is the in-thing. Aebi transporters are very compact, off-road vehicles (4 x 4) that can master steep slopes while still protecting the surface. They have a very favourable power-to-weight ratio and the even distribution of weight on the front and rear axles ensures that good traction is achieved with all the wheels.



The true professionals that are in operation throughout the year. Wherever they are needed...

Aebi transporters. True all-terrain vehicles that deliver the goods even on very steep slopes. Which means they can be used for a wide range of tasks throughout the year. In the construction trade or for maintenance work for loading and transporting almost anything, as well as for tasks such as road sweeping, edging, water spraying, salt and sand spreading, snow ploughing, etc.

Aebi transporters are multi-talented, as illustrated on the following pages...









The rear unit can be changed quickly.



Long wheelbase or short wheelbase.



Also well equipped for winter services.



Simple and quick attachment of front-mounted implements.

**This is the new generation:
extremely high performance,
robustly built and high loading
capacity.**





Outside: attractive design. Inside: clear layout.

Dynamic, powerful and nevertheless elegant. This is the Aebi Transporter look. And the cab is beautifully designed and ergonomically and logically laid out. Generously conceived, it conforms to European regulations and standards. With excellent all-round visibility and great freedom of movement. All in all, a workplace where you feel really at home.





As comfortable as a modern heavy-goods vehicle.

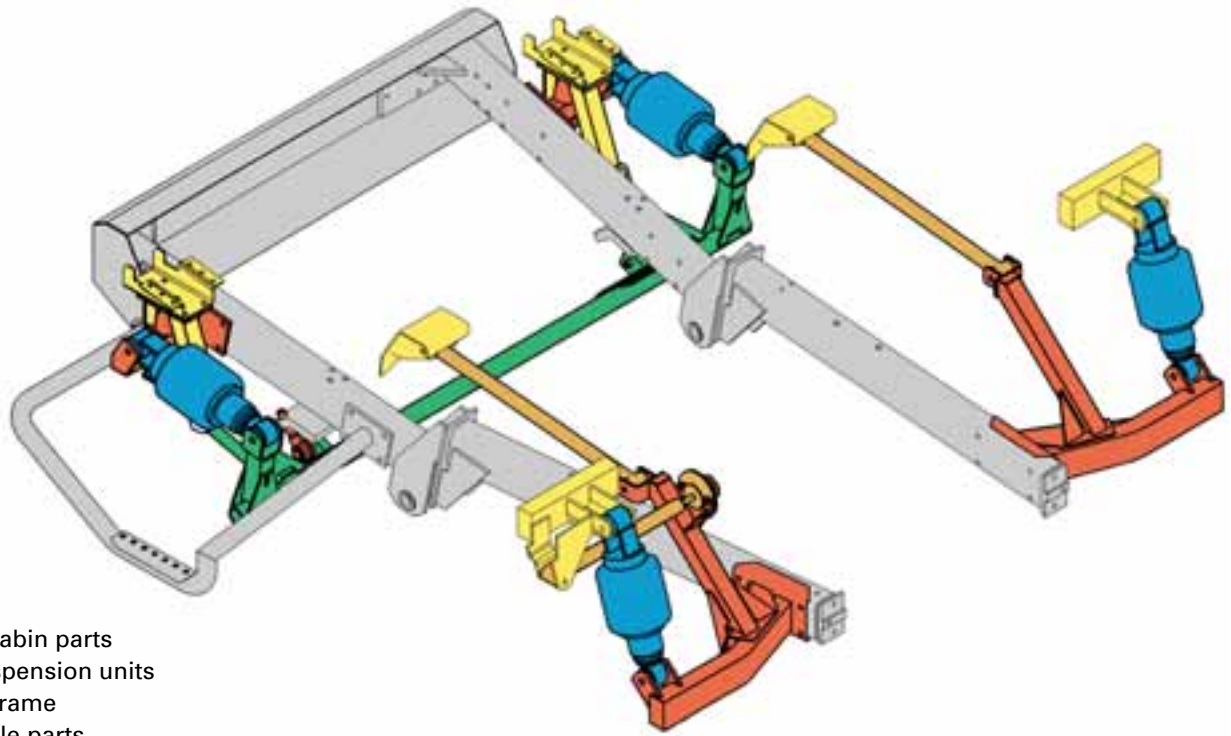
Hard times are a thing of the past. At least with the transporters from Aebi. You'll sense it in the air suspension. Or you'll notice it in the handling and manoeuvring. With the multi-function lever you have everything at your fingertips.



Details that will really make you sit up and take notice: anyone who spends hours each day at the wheel really appreciates the quality of the Aebi seat.



The air suspension elements with hydraulic damping guarantee optimum driving comfort. Regardless of the load or the type of rear unit or front-mounted implement that are fitted.



- Rigid cabin parts
- Air-suspension units
- Fixed frame
- Movable parts
- Stabilisers

Driving comfort at all times and under all conditions: cabin suspension and hydro-pneumatic suspension system.

Everything under control.

Lift, lower, pivot, tip. All hydraulic functions are electro-hydraulically controlled using the multi-function lever. For example: Tipper, salt spreader, snowplough, edging machine, floating bar, road sweeper brush, loading crane or compost spreader.



No tedious juggling with levers. The electro-hydraulically operated power-take-off clutch is really ingenious.

A clear concept, a well thought-out system. From A to Z.

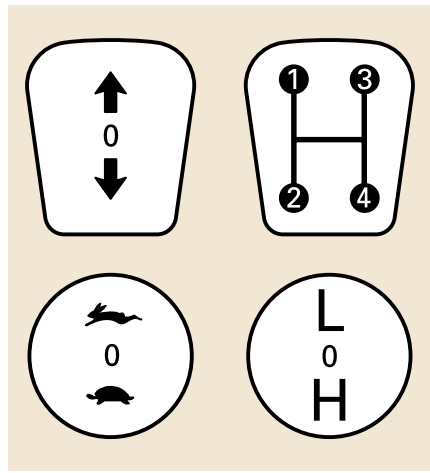
You discover what really sets an Aebi apart in its many advantages and special features, some of which are quite unique: typical for Aebi is the powerful turbo engine with its rapid build-up of torque. The variants for 30 km/h or 40 km/h. The easily selected reverse split gears. 2 times 16 gears. Permanent four-wheel drive. Hydraulic servo disc brakes. Low centre of gravity and wide turning lock. High load capacity. Etc., etc., etc.



High-tech and safety. With the Aebi, the permanent four-wheel drive is equipped with electrohydraulic locking on the axle differentials and on the inter-axle differential. And the Aebi disc brakes are oil-cooled.



Progressively acting, hydraulic torsion damping between the front and rear axles.



The split-gear reversing gearbox, with a total of 16 forward and 16 reverse gears that can be easily selected and changed under load.



Save time and money: the ingenious Aebi quick-release mounting that can also be used with your existing rear units.



Optimum choice of tyres for every type of terrain.



Clearly marked hydraulic connections.



For additional implements: three-point Cat. I and II rear-lifting frame.

Aebi transporter. The number one choice. It pays off in every respect.

Not all the mentioned advantages and features are available with every model. Detailed information and technical data can be obtained separately.

Technical specifications are subject to change without notice.



Aebi & Co. AG
Farm and Public Works Equipment
CH-3401 Burgdorf
Switzerland

Telephone +41 (0)34 421 61 21
Fax +41 (0)34 421 61 51
www.aebi.com
aebi@aebi.com



MASKINSALG A/S

UTSTYR FOR INDUSTRI OG ANLEGG

Blindheimsveien 1, 5131 Nyborg

www.maskinsalg.com

SALG - SERVICE - UTTLEIE Tlf. 55 19 96 20

AEBI