





# Contents

|                                     |    |
|-------------------------------------|----|
| <b>General information</b> .....    | 5  |
| <b>Spare parts list</b> .....       | 6  |
| <b>Optional parts</b> .....         | 10 |
| Bushing oversize, complete.....     | 10 |
| Restrictor, complete.....           | 12 |
| <b>Tightening torque</b> .....      | 14 |
| <b>Working tools</b> .....          | 15 |
| <b>Accessories</b> .....            | 17 |
| <b>Optional equipment</b> .....     | 17 |
| <b>Hydraulic hoses</b> .....        | 17 |
| <b>Kits</b> .....                   | 18 |
| <b>Label kit</b> .....              | 18 |
| <b>Seal kit</b> .....               | 19 |
| <b>Lower hammer part kit</b> .....  | 20 |
| <b>Accumulator repair kit</b> ..... | 21 |
| <b>Dimensions</b> .....             | 22 |



## General information

This spare parts list applies to the following:

| Part number  | Description              |
|--------------|--------------------------|
| 8460 0300 40 | Hydraulic breaker SB 152 |

Use only authorized parts. Any damage or malfunction caused by the use of unauthorized parts is not covered by Warranty or Product Liability. Any unauthorized use or copying of the contents or any part thereof is prohibited. This applies in particular to trademarks, model denominations, part numbers, and drawings.

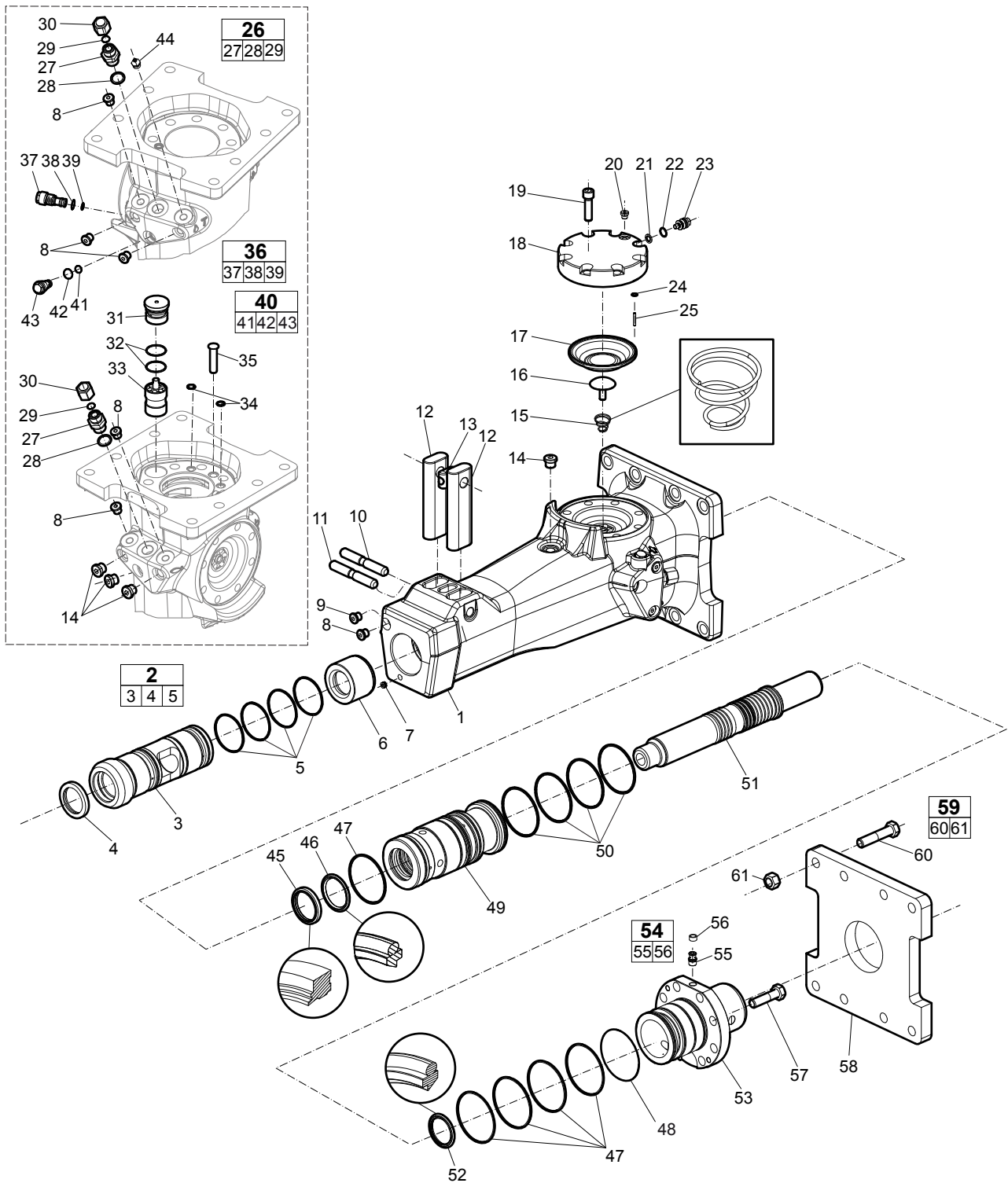
### Instructions for use

This spare parts list contains no safety regulations and is merely intended to assist in the ordering of spare parts.

For information about operating, servicing, or repairing, the relevant Safety and operating instructions must be consulted at all costs.

Please observe the safety instructions listed in the relevant Safety and operating instructions!

# Spare parts list



| No.              | Description                            | Remark  | Quantity | Part number  |
|------------------|--|---|----------|--------------|
| 1                | Breaker body                           |   | 1        | -            |
| <b>2(3-5)</b>    | <b>Bushing, complete</b>               | For mor bushings, see section "Bushing oversize, complete". | 1        | 3315 3539 80 |
| 3                | Bushing                                | ø75 mm<br>ø2.95 in.   | 1        | -            |
| 4                | Scraper ring                           |   | 1        | 3315 3564 00 |
| 5                | O-ring                                 | 64.5 x 3 mm<br>2.53 x 0.12 in. (90 shore)                   | 4        | 0663 2102 89 |
| 6                | Stop ring                              |   | 1        | 3315 2918 00 |
| 7                | Plug                                   |   | 1        | 0686 1000 09 |
| 8                | Hexagon socket plug                    | VSTI R ¼-ED   | 6        | 0686 6442 07 |
| 9                | Water nozzle, option                   |   | 1        | 3315 3952 00 |
| 10               | Lock pin                               |   | 1        | 3315 2930 00 |
| 11               | Spring pin, option                     |   | 1        | 0108 1691 26 |
| 12               | Tool retainer                          |   | 2        | 3315 1470 00 |
| 13               | Lock buffer                            |   | 1        | 3315 1419 00 |
| 14               | Hexagon socket plug                    | VSTI R ⅜-ED   | 4        | 0686 3718 01 |
| 15               | Coil spring                            |   | 1        | 3315 2933 00 |
| 16               | Diaphragm support                      |   | 1        | 3315 2889 00 |
| 17               | Diaphragm                              |   | 1        | 3315 2890 00 |
| 18               | Accumulator house                      |   | 1        | 3315 2824 00 |
| 19               | Hexagon socket screw                   | Screw with extra high fatigue strength.                     | 8        | 0211 1965 34 |
| 20               | Hexagon socket plug                    | VSTI R ⅜-ED   | 1        | 0686 3718 05 |
| 21               | Seal ring                              |   | 1        | 3115 3290 02 |
| 22               | O-ring                                 | 13.3 x 2.4 mm<br>0.52 x 0.09 in.                            | 1        | 0663 2120 00 |
| 23               | Charge valve                           |   | 1        | 3315 3660 00 |
| 24               | O-ring                                 | 7.3 x 2.4 mm<br>0.29 x 0.09 in.                             | 1        | 0663 2114 00 |
| 25               | Parallel pin                           | D4 x 25 mm  | 1        | 0101 4140 00 |
| <b>26(27-29)</b> | <b>Nipple, complete</b>                | 1⅜ - 16UN G½A   | 1        | 0570 7000 03 |
| 27               | Nipple                                 |   | 1        | -            |
| 28               | Seal ring                              |   | 1        | 0664 0000 03 |
| 29               | O-ring                                 | 12.42 x 1.78 mm<br>0.49 x 0.07 in.                          | 1        | 0663 9055 01 |
| 30               | Cap                                    |   | 2        | 0570 7000 19 |
| 31               | Valve cover                            |   | 1        | 3315 3640 00 |
| 32               | O-ring                                 | 31.2 x 3 mm<br>1.23 x 0.12 in.                              | 2        | 0663 2114 90 |
| 33               | Control valve                          |   | 1        | 3315 2919 00 |
| 34               | Seal ring                              |   | 2        | 0665 0900 14 |
| 35               | Plug                                   |   | 1        | 3315 3050 00 |
| <b>36(37-39)</b> | <b>Pressure relief valve, complete</b> |   | 1        | 3315 3350 00 |
| 37               | Pressure relief valve                  |   | 1        | -            |
| 38               | O-ring                                 | 15.6 x 1.78 mm<br>0.61 x 0.07 in.                           | 1        | 0663 9032 01 |
| 39               | O-ring                                 | 10.82 x 1.78 mm<br>0.43 x 0.07 in.                          | 1        | 0663 9054 01 |
| <b>40(41-43)</b> | <b>Restrictor standard, complete</b>   | For more restrictors, see section "Restrictor, complete".   | 1        | 3315 3695 51 |
| 41               | O-ring                                 | 10.82 x 1.78 mm<br>0.43 x 0.07 in.                          | 1        | 0663 9054 01 |
| 42               | O-ring                                 | 15.6 x 1.78 mm<br>0.61 x 0.07 in.                           | 1        | 0663 9032 01 |
| 43               | Restrictor                             | ø5.1 mm<br>ø0.20 in.  | 1        | -            |

| No.              | Description                          | Remark  | Quantity | Part number  |
|------------------|--------------------------------------|---|----------|--------------|
| 44               | Grease nipple                        | ISO 7-R¼                                      | 1        | 0544 2153 00 |
| 45               | Wiper                                |   | 1        | 0665 9099 54 |
| 46               | Piston rod seal                      |   | 1        | 0665 0701 31 |
| 47               | O-ring                               | 86 x 3 mm<br>3.39 x 0.12 in. (90 shore)       | 5        | 0663 2114 56 |
| 48               | O-ring                               | 88.62 x 1.78 mm<br>3.49 x 0.07 in. (90 shore) | 1        | 0663 2106 31 |
| 49               | Liner                                |   | 1        | 3315 2913 00 |
| 50               | O-ring                               | 84.5 x 3 mm<br>3.33 x 0.12 in. (90 shore)     | 4        | 0663 2100 53 |
| 51               | Piston                               |   | 1        | 3315 2917 00 |
| 52               | Piston rod seal                      |   | 1        | 0665 0701 32 |
| 53               | Back head                            |   | 1        | 3315 2939 00 |
| <b>54(55-56)</b> | <b>Check valve, complete</b>         |   | 1        | 3315 2448 81 |
| 55               | Check valve                          |   | 1        | -            |
| 56               | Valve rubber                         |   | 1        | 3315 2808 00 |
| 57               | Hexagon head screw                   | M16 x 60 mm 8.8 fzb                           | 8        | 0147 1481 03 |
| 58               | Base plate, option                   |   | 1        | 3315 3043 00 |
| <b>59(60-61)</b> | <b>Set of eight screws, complete</b> |   | 1        | 3315 2964 90 |
| 60               | Screw                                | M16 x 75 mm 8.8 fzb                           | 8        | -            |
| 61               | Nut                                  | M16   | 8        | -            |

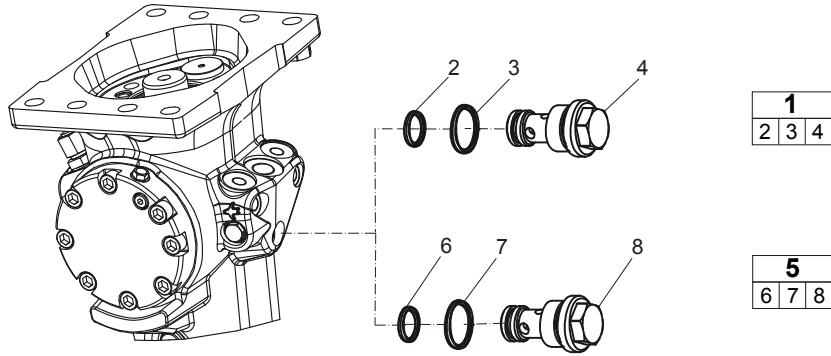






| No.           | Description                       | Remark                         | Quantity | Part number  |
|---------------|-----------------------------------|--------------------------------|----------|--------------|
| <b>1(2-4)</b> | <b>Bushing oversize, complete</b> |                                | 1        | 3315 3539 60 |
| 2             | Bushing                           | Ø76.5 mm<br>Ø3.01 in.          | 1        | -            |
| 3             | Scraper ring                      |                                | 1        | 3315 3564 00 |
| 4             | O-ring                            | 69.5 x 3 mm<br>2.74 x 0.12 in. | 4        | 0663 2106 12 |
| <b>5(6-8)</b> | <b>Bushing oversize, complete</b> |                                | 1        | 3315 3539 63 |
| 6             | Bushing                           | Ø78 mm<br>Ø3.07 in.            | 1        | -            |
| 7             | Scraper ring                      |                                | 1        | 3315 3564 00 |
| 8             | O-ring                            | 69.5 x 3 mm<br>2.74 x 0.12 in. | 4        | 0663 2106 12 |

Restrictor, complete



| No.           | Description                 | Remark                             | Quantity | Part number  |
|---------------|-----------------------------|------------------------------------|----------|--------------|
| <b>1(2-4)</b> | <b>Restrictor, complete</b> |                                    | 1        | 3315 3695 35 |
| 2             | O-ring                      | 10.82 x 1.78 mm<br>0.43 x 0.07 in. | 1        | -            |
| 3             | O-ring                      | 15.6 x 1.78 mm<br>0.61 x 0.07 in.  | 1        | -            |
| 4             | Restrictor                  | Ø4.5 mm<br>Ø0.18 in.               | 1        | -            |
| <b>5(6-8)</b> | <b>Restrictor, complete</b> |                                    | 1        | 3315 3695 40 |
| 6             | O-ring                      | 10.82 x 1.78 mm<br>0.43 x 0.07 in. | 1        | -            |
| 7             | O-ring                      | 15.6 x 1.78 mm<br>0.61 x 0.07 in.  | 1        | -            |
| 8             | Restrictor                  | Ø4.0 mm<br>Ø0.16 in.               | 1        | -            |

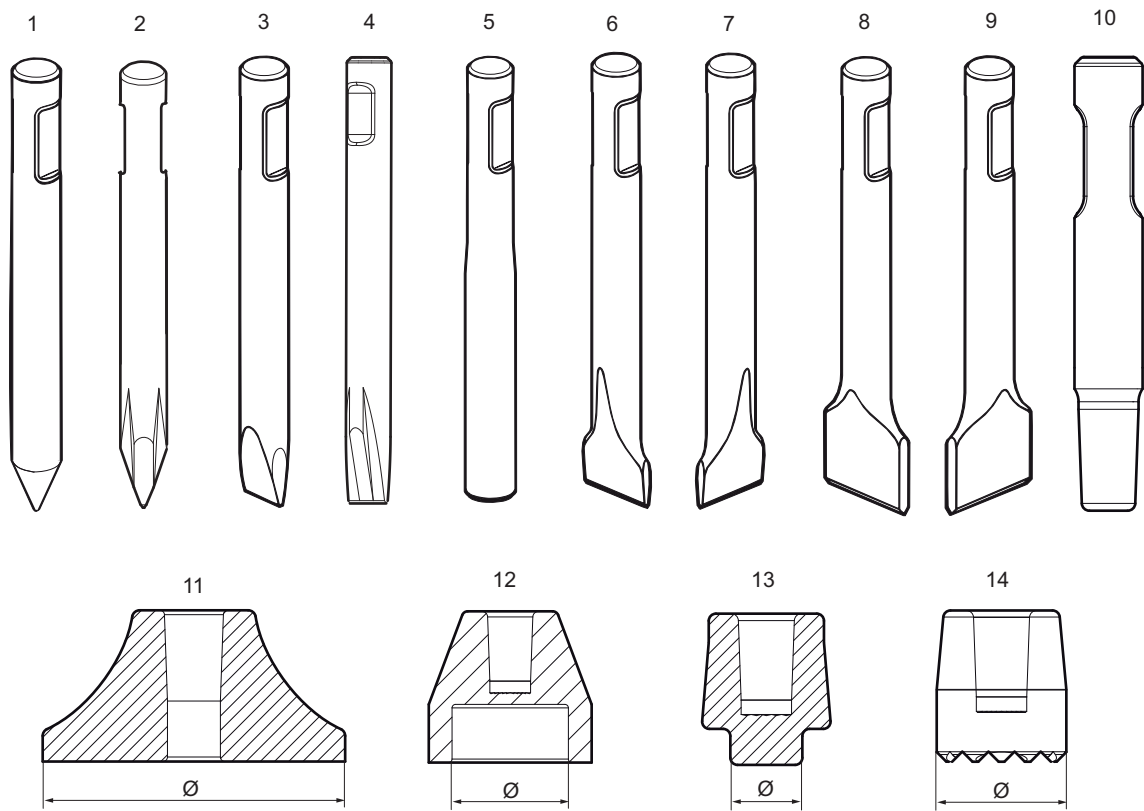
## Tightening torque

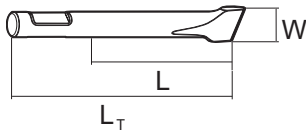
| No. | Description           | Tightening torque | Remark        |
|-----|-----------------------|-------------------|---------------|
| 8   | Hexagon socket plug   | 30 Nm             | LOCTITE® 243™ |
| 14  | Hexagon socket plug   | 80 Nm             | LOCTITE® 243™ |
| 19  | Hexagon socket screw  | 120 Nm            | Molycote®     |
| 20  | Hexagon socket plug   | 20 Nm             |               |
| 23  | Charge valve          | 20 Nm             |               |
| 27  | Nipple                | 210 Nm            |               |
| 37  | Pressure relief valve | 80 Nm             |               |
| 43  | Restrictor            | 80 Nm             |               |
| 44  | Grease nipple         | 30 Nm             |               |
| 55  | Check valve           | 30 Nm             | LOCTITE® 243™ |
| 57  | Hexagon head screw    | 180 Nm            | Molycote®     |
| 61  | Nut                   | 200 Nm            |               |

LOCTITE is a registered trademark of Henkel Corporation. 243 is a trademark of Henkel Corporation.

Molycote is a registered trademark of Dow Corning Corporation.

# Working tools





## Metric

| No. | Description               | W (mm) | L (mm) | L <sub>T</sub> (mm) | Wt (kg) | Part number  |
|-----|---------------------------|--------|--------|---------------------|---------|--------------|
| 1   | Moil point                | -      | 250    | 510                 | 6.7     | 3083 3169 00 |
|     |                           | -      | 490    | 750                 | 10.0    | 3083 3169 01 |
| 2   | Moil point (X-profile)    | -      | 250    | 510                 | 6.6     | 3363 0982 50 |
| 3   | Chisel (cross)            | 50     | 250    | 510                 | 6.9     | 3083 3170 00 |
|     |                           | 50     | 490    | 750                 | 10.0    | 3083 3409 34 |
| 4   | Chisel (X-profile)        | 50     | 250    | 510                 | 6.7     | 3363 0982 51 |
| 5   | Blunt tool                | -      | 250    | 510                 | 9.3     | 3083 3182 00 |
| 6   | Wide chisel (cross)       | 125    | 220    | 480                 | 7.2     | 3083 3171 00 |
| 7   | Wide chisel (parallel)    | 125    | 220    | 480                 | 7.2     | 3083 3172 00 |
| 8   | Asphalt cutter (cross)    | 115    | 230    | 490                 | 6.4     | 3083 3173 00 |
| 9   | Asphalt cutter (parallel) | 115    | 230    | 490                 | 6.4     | 3083 3174 00 |
| 10  | Shaft                     | -      | -      | 510                 | 6.8     | 3315 3701 00 |
| 11  | Tamping pad (square)      | Ø 200  | -      | -                   | 15      | 3315 3706 00 |
| 12  | Post driver pad (round)   | Ø 100  | -      | -                   | 8.5     | 3315 3714 00 |
| 13  | Pile driver pad (round)   | Ø 50   | -      | -                   | 3.3     | 3315 3721 00 |
| 14  | Bushing pad (round)       | Ø 90   | -      | -                   | 4.1     | 3315 3728 00 |

## Imperial

| No. | Description               | W (in.) | L (in.) | L <sub>T</sub> (in.) | Wt (lb) | Part number  |
|-----|---------------------------|---------|---------|----------------------|---------|--------------|
| 1   | Moil point                | -       | 9.84    | 20.08                | 14.8    | 3083 3169 00 |
|     |                           | -       | 19.29   | 29.53                | 22.0    | 3083 3169 01 |
| 2   | Moil point (X-profile)    | -       | 9.84    | 20.08                | 14.6    | 3363 0982 50 |
| 3   | Chisel (cross)            | 1.97    | 9.84    | 20.08                | 15.2    | 3083 3170 00 |
|     |                           | 1.97    | 19.29   | 29.53                | 22.0    | 3083 3409 34 |
|     |                           | 4.92    | 8.66    | 18.90                | 15.9    | 3083 3171 00 |
| 4   | Chisel (X-profile)        | 1.97    | 9.84    | 20.08                | 14.8    | 3363 0982 51 |
|     |                           | 4.92    | 8.66    | 18.90                | 15.9    | 3083 3172 00 |
| 5   | Blunt tool                | -       | 9.84    | 20.08                | 20.5    | 3083 3182 00 |
| 3   | Wide chisel (cross)       | 4.92    | 8.66    | 18.90                | 15.9    | 3083 3171 00 |
| 4   | Wide chisel (parallel)    | 4.92    | 8.66    | 18.90                | 15.9    | 3083 3172 00 |
| 6   | Asphalt cutter (cross)    | 4.53    | 9.06    | 19.29                | 14.1    | 3083 3173 00 |
| 7   | Asphalt cutter (parallel) | 4.53    | 9.06    | 19.29                | 14.1    | 3083 3174 00 |
| 10  | Shaft                     | -       | -       | 20.08                | 15.0    | 3315 3701 00 |
| 11  | Tamping pad (square)      | Ø 7.87  | -       | -                    | 33.1    | 3315 3706 00 |
| 12  | Post driver pad (round)   | Ø 3.94  | -       | -                    | 18.7    | 3315 3714 00 |
| 13  | Pile driver pad (round)   | Ø 1.97  | -       | -                    | 7.3     | 3315 3721 00 |
| 14  | Bushing pad (round)       | Ø 3.54  | -       | -                    | 9.0     | 3315 3728 00 |



## Accessories

### Optional equipment

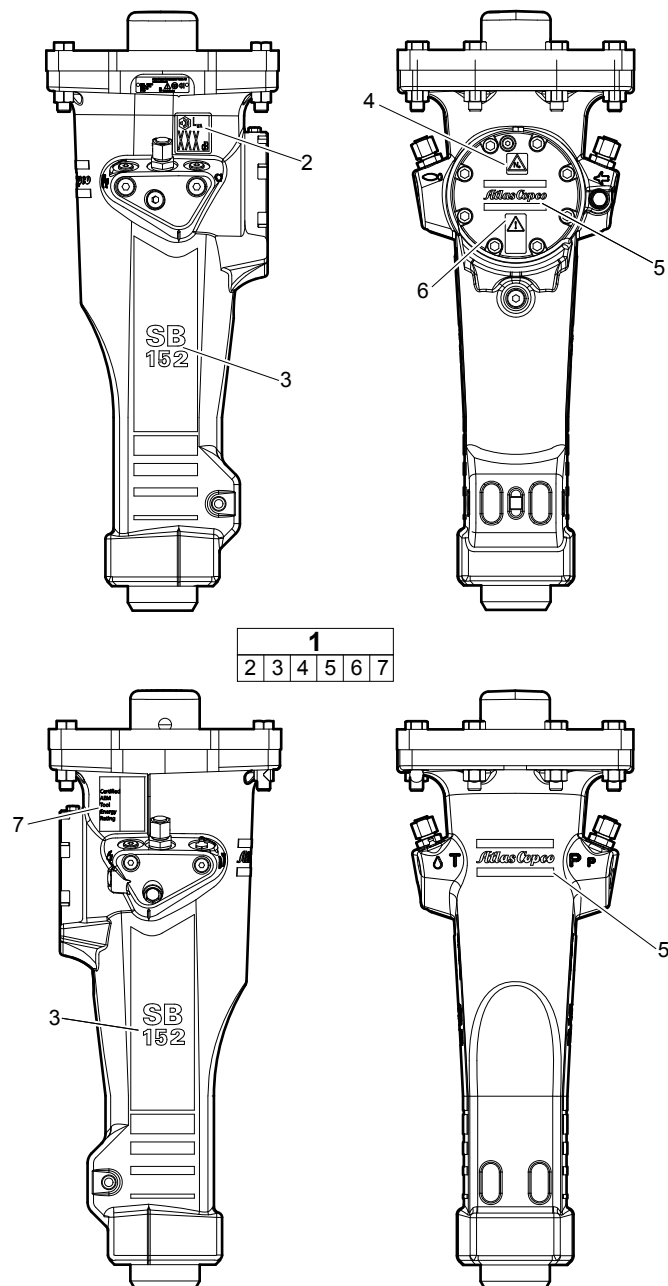
| Description                                | Remark  | Quantity | Part number  |
|--|---|----------|--------------|
| Grease gun                                 | For manual greasing with cartridge, 400 g (0.88 lb)   | 1        | 0909 1071 00 |
| Chisel paste cartridge                     | 400 g x 12<br>0.88 lb x 12  | 1        | 3363 0949 13 |
| ContiLube™ II micro                        |   | 1        | 3315 3831 90 |
| Welding kit, universal                     | For ContiLube™ II micro   | 1        | 3315 3867 80 |
| Hose kit, universal                        | For ContiLube™ II micro   | 1        | 3315 3862 80 |
| Chisel paste cartridge                     | 150 g x 12<br>0.33 lb x 12  | 1        | 3363 1064 47 |
| Filling device                             | For the 150 g (0.33 lb) Chisel paste cartridges, to use in combination with Chisel paste container 15 kg (33 lb)      | 1        | 3363 0946 69 |
| Filling adapter                            | For the 150 g (0.33 lb) Chisel paste cartridges, suitable with the filling device for 15 kg (33 lb) and 45 kg (99 lb) | 1        | 3315 3839 80 |
| Filling device                             | For the 150 g (0.33 lb) Chisel paste cartridges, to use in combination with Chisel paste container 45 kg (99 lb)      | 1        | 3363 0664 11 |
| Chisel paste container                     | 15 kg<br>33 lb  | 1        | 3362 2639 00 |
| Chisel paste container                     | 45 kg<br>99 lb  | 1        | 3362 2632 75 |
| Filling device for accumulator             |   | 1        | 3360 9204 15 |
| Nipple, for charging the accumulator       |   | 1        | 3363 0944 59 |
| Filling hose, for charging the accumulator |   | 1        | 3361 3298 03 |
| Bushing wear controller                    |   | 1        | 3315 3531 00 |

### Hydraulic hoses

| Description            | Remark  | Quantity | Part number  |
|------------------------|---|----------|--------------|
| Hose                   | I.D. 16 (0.63 in.), both ends M26 x 1.5 mm conical seal 24°, length 1,500 mm (59 in.) | 2        | 3360 9957 17 |
| Hose                   | I.D. 16 (0.63 in.), both ends M26 x 1.5 mm conical seal 24°, length 2,000 mm (79 in.) | 2        | 3362 2351 59 |
| Hose                   | I.D. 16 (0.63 in.), both ends M26 x 1.5 mm conical seal 24°, length 2,400 mm (94 in.) | 2        | 3363 0833 13 |
| Additional fitting kit | Needed to fit two hoses to the hydraulic breaker                                      | 1        | 3363 0980 18 |

# Kits

## Label kit

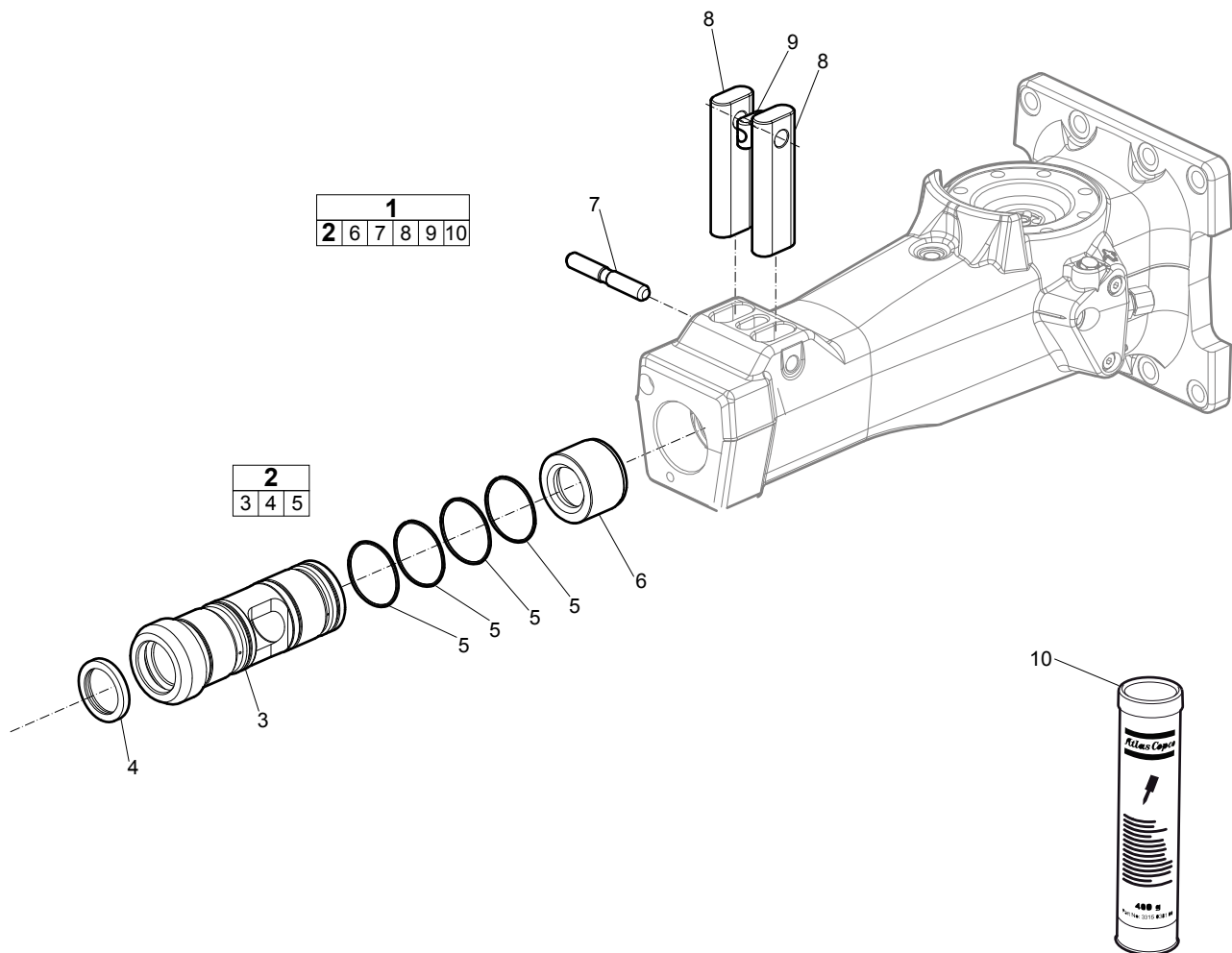


| No.    | Description       | Remark        | Quantity | Part number  |
|--------|-------------------|---------------|----------|--------------|
| 1(2-7) | Label kit         |               | 1        | 3315 2905 91 |
| 2      | Sound power label |               | 1        | -            |
| 3      | Product label     | "SB 152"      | 2        | -            |
| 4      | Safety label      |               | 1        | -            |
| 5      | Product label     | "Atlas Copco" | 2        | -            |
| 6      | Safety label      |               | 1        | -            |
| 7      | AEM sign          |               | 1        | -            |

## Seal kit

| Description     | Remark  | Quantity | Part number  |
|-----------------|---|----------|--------------|
| <b>Seal kit</b> |   | 1        | 3315 2905 90 |
| Scraper ring    |   | 1        | 3315 3564 00 |
| O-ring          | 64.5 x 3 mm<br>2.54 x 0.12 in. (90 shore)             | 4        | 0663 2102 89 |
| Seal ring       |   | 1        | 0661 1000 24 |
| Seal ring       |   | 1        | 3115 3290 02 |
| O-ring          | 13.3 x 2.4 mm<br>0.52 x 0.09 in. (70 shore)           | 1        | 0663 2120 00 |
| O-ring          | 7.3 x 2.4 mm<br>0.29 x 0.09 in. (90 shore)            | 1        | 0663 2114 00 |
| Seal ring       |   | 2        | 0664 0000 03 |
| O-ring          | 12.42 x 1.78 mm<br>0.49 x 0.07 in. (90 shore)         | 2        | 0663 9055 01 |
| O-ring          | 31.2 x 3 mm<br>1.23 x 0.12 in. (90 shore)             | 1        | 0663 2114 24 |
| Seal ring       |   | 2        | 0665 0900 14 |
| O-ring          | 15.6 x 1.78 mm<br>0.61 x 0.07 in. (90 shore)          | 2        | 0663 9032 01 |
| O-ring          | 10.82 x 1.78 mm<br>0.43 x 0.07 in. (90 shore)         | 2        | 0663 9054 01 |
| Wiper           |   | 1        | 0665 9099 54 |
| Piston rod seal |   | 1        | 0665 0701 31 |
| O-ring          | 84.5 x 3 mm<br>3.33 x 0.12 in. (90 shore)             | 4        | 0663 2100 53 |
| Piston rod seal |   | 1        | 0665 0701 32 |
| O-ring          | 86 x 3 mm<br>3.39 x 0.12 in. (90 shore)               | 5        | 0663 2114 56 |
| Valve rubber    |   | 1        | 3315 2808 00 |
| O-ring          | 31.42 x 2.62 mm PUR<br>1.24 x 0.10 in. PUR (90 shore) | 2        | 0663 2114 90 |
| O-ring          |   | 1        | 0663 2106 31 |
| Plug            |   | 1        | 3315 3050 00 |

## Lower hammer part kit



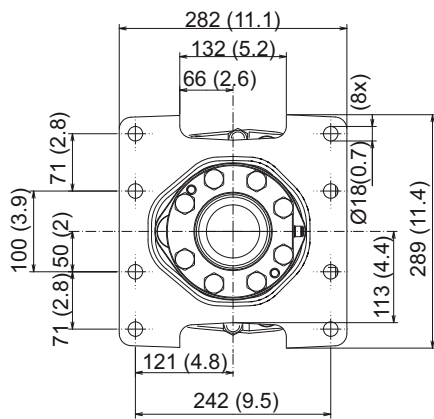
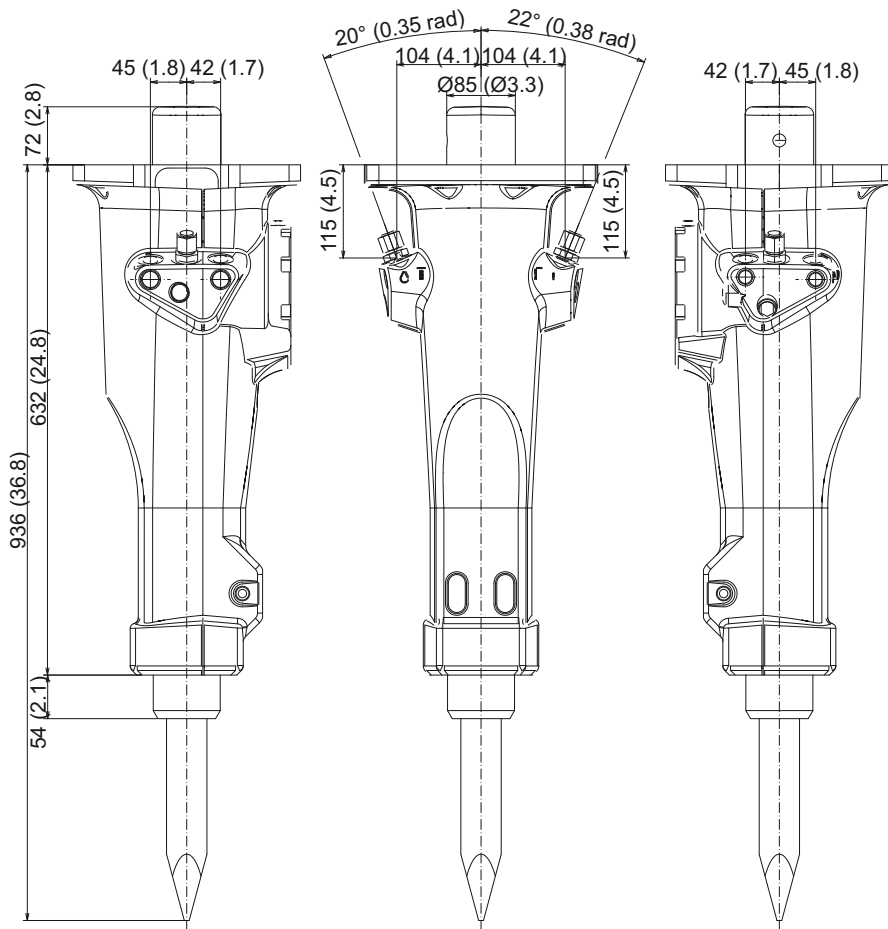
| No.       | Description            | Remark | Quantity | Part number  |
|-----------|------------------------|--------|----------|--------------|
| 1(2,6-10) | Lower hammer part kit  |        | 1        | 3315 3521 40 |
| 2(3-5)    | Bushing, complete      |        | 1        | 3315 2916 80 |
| 3         | Bushing                |        | 1        | -            |
| 4         | Scraper ring           |        | 1        | 3315 2963 00 |
| 5         | O-ring                 |        | 4        | 0663 2102 89 |
| 6         | Stop ring              |        | 1        | 3315 2918 00 |
| 7         | Lock pin               |        | 1        | 3315 2930 00 |
| 8         | Tool retainer          |        | 2        | 3315 1470 00 |
| 9         | Lock buffer            |        | 1        | 3315 1419 00 |
| 10        | Chisel paste cartridge | 400 g  | 1        | -            |

## Accumulator repair kit

| Description                   | Remark                                  | Quantity | Part number  |
|-------------------------------|---|----------|--------------|
| <b>Accumulator repair kit</b> |   | 1        | 3315 2824 90 |
| Coil spring                   |   | 1        | 3315 2933 00 |
| Diaphragm support             |   | 1        | 3315 2889 00 |
| Diaphragm                     |   | 1        | 3315 2890 00 |
| Hexagon socket screw          | Screw with extra high fatigue strength. | 8        | 0211 1965 34 |
| Hexagon socket plug           | VSTI R 1/8-ED                           | 1        | 0686 3718 05 |
| Seal ring                     |   | 1        | 3115 3290 02 |
| O-ring                        | 13.3 x 2.4 mm (70 shore)                | 1        | 0663 2120 00 |
| Charge valve                  |   | 1        | 3315 3660 00 |
| O-ring                        | 7.3 x 2.4 mm (90 shore)                 | 1        | 0663 2114 00 |
| Parallel pin                  | D4 x 25                                 | 1        | 0101 4140 00 |

# Dimensions

mm (inch)





Any unauthorized use or copying of the contents or any part thereof is prohibited.  
This applies in particular to trademarks, model denominations, part numbers, and  
drawings.

© 2012 Atlas Copco Construction Tools AB | No. 9800 0410 01f | 2012-08-23

**Atlas Copco**

[www.atlascopco.com](http://www.atlascopco.com)