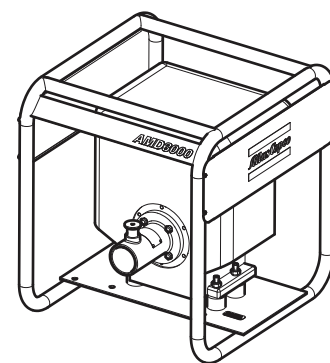


## Spare parts list

### Drive units and frequency converters

	Valid from serial number
AMD 3000 Dynapac coupling	FRO024719
AMD 3000 Australian coupling	FRO024719



	<b>MASKINSALG</b> <sup>A/s</sup>
	UTSTYR FOR INDUSTRI OG ANLEGG
	Blindheimsveien 1, 5131 Nyborg <a href="http://www.maskinsalg.com">www.maskinsalg.com</a>
	SALG - SERVICE - UMLEIE      Tlf. 55 19 96 20





# Contents

General information.....	5
Spare parts list.....	6
Kits.....	8
One year service kit.....	8
Recoil starter kit.....	8



## General information

This spare parts list applies to the following:

Part number	Description
4812 0508 75	Drive unit AMD 3000 Dynapac coupling Lombardini diesel
4812 0511 74	Drive unit AMD 3000 Australian coupling Lombardini diesel

Use only authorized parts. Any damage or malfunction caused by the use of unauthorized parts is not covered by Warranty or Product Liability. Any unauthorized use or copying of the contents or any part thereof is prohibited. This applies in particular to trademarks, model denominations, part numbers, and drawings.

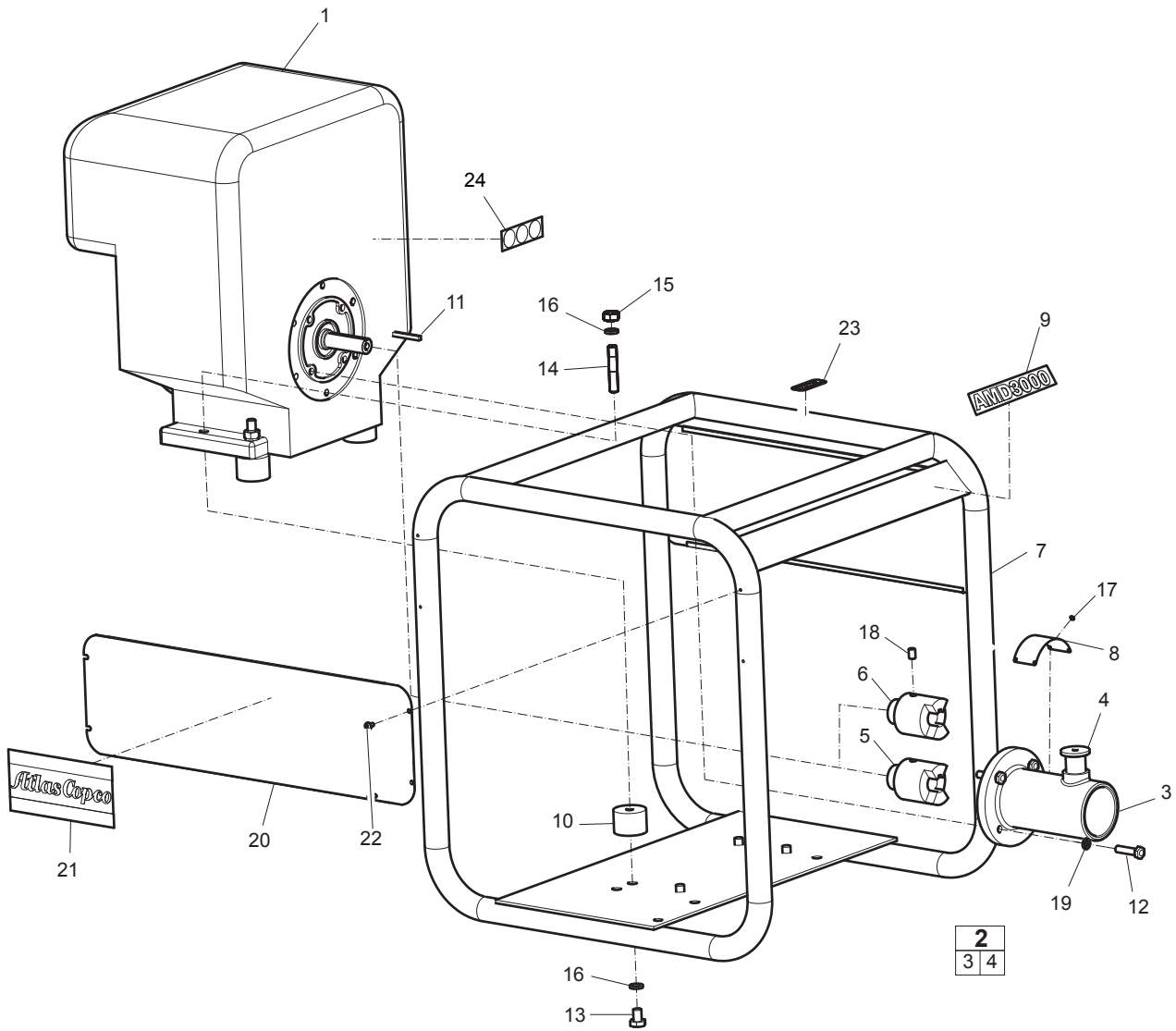
### Instructions for use

This spare parts list contains no safety regulations and is merely intended to assist in the ordering of spare parts.

For information about operating, servicing, or repairing, the relevant Safety and operating instructions must be consulted at all costs.

Please observe the safety instructions listed in the relevant Safety and operating instructions!

# Spare parts list



No.	Description	Remark	Quantity	Part number
1	Engine	Lombardini 15 LD 225	1	4700 3699 41
<b>2(3-4)</b>	<b>Guiding sleeve, complete</b>		1	4700 3634 42
3	Guiding sleeve		1	-
4	Locking piston		1	4700 3622 07
5	Shaft coupling	Dynapac - for metric shaft engine.	1	4700 7045 49
6	Shaft coupling	Australian - for metric shaft engine.	1	4812 0512 07
7	Frame		1	4812 0510 77
8	Data plate		1	-
9	Label	"AMD 3000"	1	4812 0510 84
10	Shock absorber		4	4700 3672 23
11	Key		1	4700 3510 46
12	Screw	UNF 5/16 x 1 1/4 in. DIN 931	4	4700 5030 13
13	Screw	M10 x 14 mm DIN 933	4	-
14	Stud	M10 x 45 mm DIN 976	4	-
15	Lock nut	M10 mm DIN 985	4	-
16	Spring washer	10 X 25 mm 0.39 x 0.98 in.	8	4700 6040 07
17	Drive screw		4	4700 1016 63
18	Screw	M8 x 12 mm DIN 916	1	-
19	Washer	8 x 25 mm 0.31 x 0.98 in.	4	4700 6040 05
20	Cover		2	4812 0510 99
21	Label	"Atlas Copco"	2	4812 0510 25
22	Screw	M4 x 8 mm DIN 7500	8	-
23	Instruction label		1	4700 2061 34
24	Safety label	Safety warnings	1	4812 0512 20

## Kits

### One year service kit

---

#### One year service kit

Part number 3382 1000 97

Description	Remark	Quantity	Part number
Air filter		1	4700 3699 52
Fuel filter		1	4700 3699 59
Oil filter		1	4700 3699 56

### Recoil starter kit

---

Description	Remark	Quantity	Part number
<b>Recoil starter kit</b>		1	4700 3699 53
Cover		1	-
Rope	Starter rope	1	-
Handle		1	-
Spring		1	-











**MASKINSALG** <sup>A/S</sup>  
UTSTYR FOR INDUSTRI OG ANLEGG  
Blindheimsveien 1, 5131 Nyborg  
[www.maskinsalg.com](http://www.maskinsalg.com)  
SALG - SERVICE - UMLEIE    Tlf. 55 19 96 20

Any unauthorized use or copying of the contents or any part thereof is prohibited.  
This applies in particular to trademarks, model denominations, part numbers, and drawings.

© 2011 Atlas Copco Construction Tools AB | No. 9800 1166 01b | 2011-11-17

**Atlas Copco**

[www.atlascopco.com](http://www.atlascopco.com)